









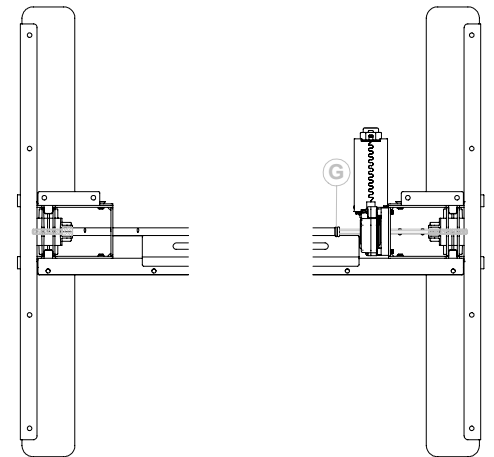
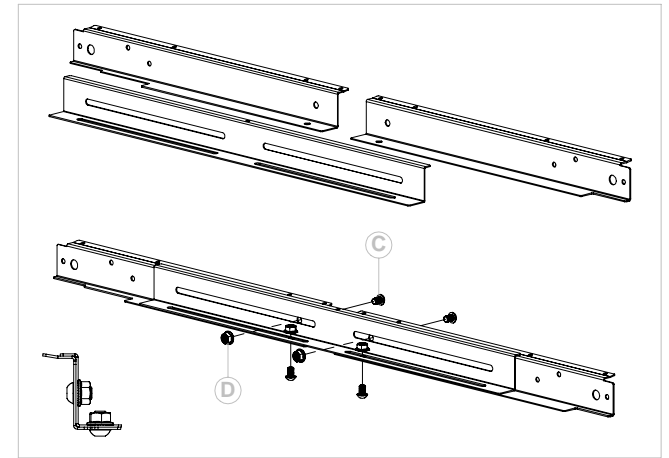
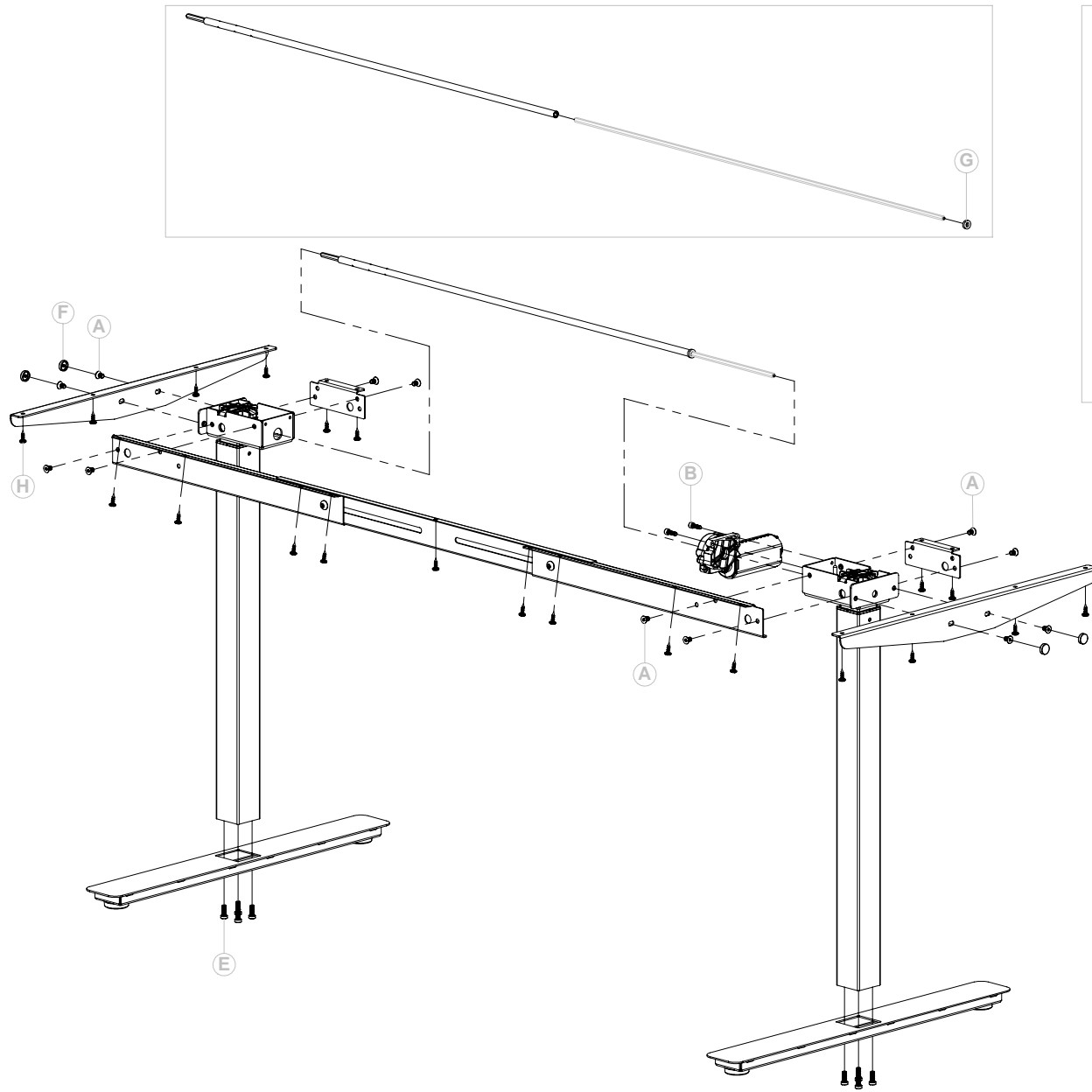


-  **A** x12
M6x10
-  **B** x2
M5x16
-  **C** x4
M8x12
-  **D** x4
M8
-  **E** x8
M6x16
-  **F** x4
Cover plug
-  **G** x2
o-ring
-  **H** x23
5x16
(table top / control box)
- hand control**
-  4x16 x2
-  4,5x20 x2



Revolution T-1M

Article no. 5193xx

Scale: 1:10