



## Swedstyle MemoryT

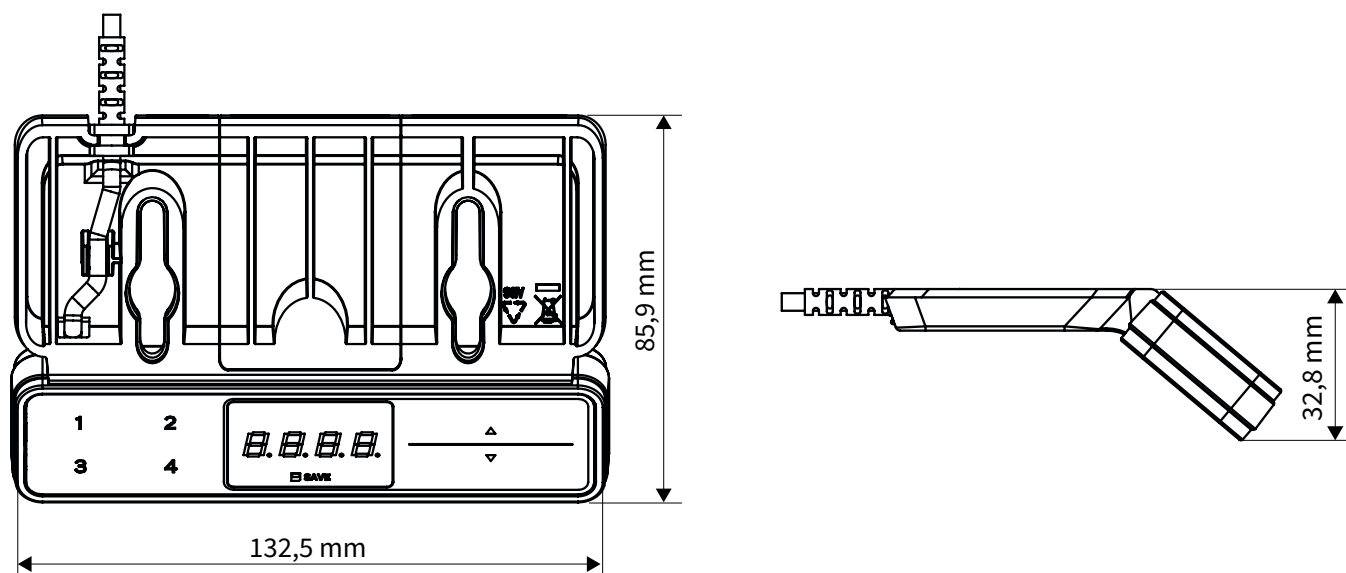
*Hand controller with touch display and four memory buttons for controlling height-adjustable desk frames, with a really up-to-date look.*

The Swedstyle MemoryT hand controller offers a large, comfortable button in compact under mount design. Elegant, modern design with touch display and lock function. Up to four positions can be saved ready for easy and rapid retrieval of the user's optimum settings.

- Save up to four positions
- Touch display
- Slide-in design
- 4-digit display
- Touch & Click function
- Key lock



PRODUCT	ART. NO	COLOUR
Swedstyle MemoryT	HAND12	Black



## Technical specifications

Supply voltage	5 V DC $\pm$ 200 mV
Current Consumption (average)	60 mA
Service life	10 000 cycles
Cable length	2 000 mm ( $\pm$ 40 mm)
Dimensions (l x w x h)	132.5 $\times$ 85.9 $\times$ 32.8 mm
Weight (including cable)	138 g
Ambient conditions during operation	+5 °C to +40 °C at max. 68% relative air humidity (non-condensing), up to an altitude of 2,000 m.
Ambient conditions during transport and storage	-25 °C to +40 °C at max. 68% relative air humidity (non-condensing). +40 °C to 60 °C at max. 32% relative air humidity (non-condensing). Temperatures of more than 40 °C for periods not exceeding 10h. Product must be acclimatised to acceptable operating conditions before assembly.
Compatibility	All Swedstyle electric height-adjustable frames
Degree of protection (IEC 60529)	IP 20
Standards and regulations	EMC directive 2014/30/EU RoHS directive 2011/65/EU